

## Cup-shaped trap standard model

Finish: **Chrome** Article Number: **52053000**



### Description

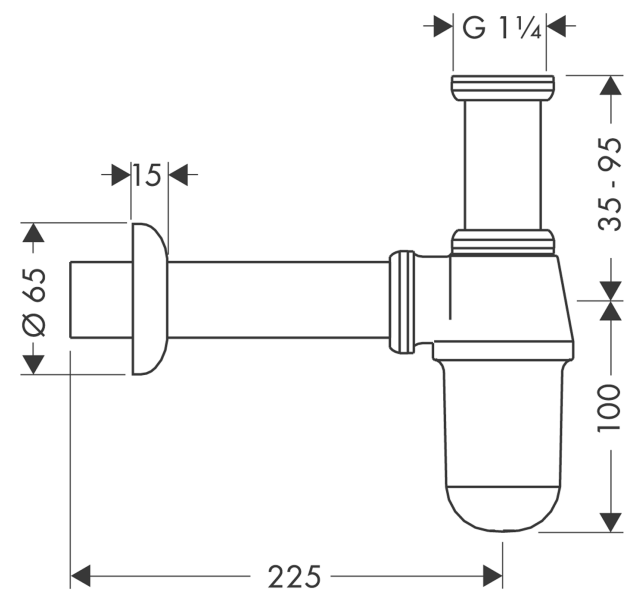
#### product features

- main material: brass
- adjustment distance 35 - 95 mm
- distance to wall 225 mm
- odour trap - backwater height is 50 mm
- connection dimension entry: G 1¼
- connection dimension outlet: DN32
- TÜV\_EN274\_R60141595\_Bauart-Zertifikat\_ne

### Product image



### Scale drawing



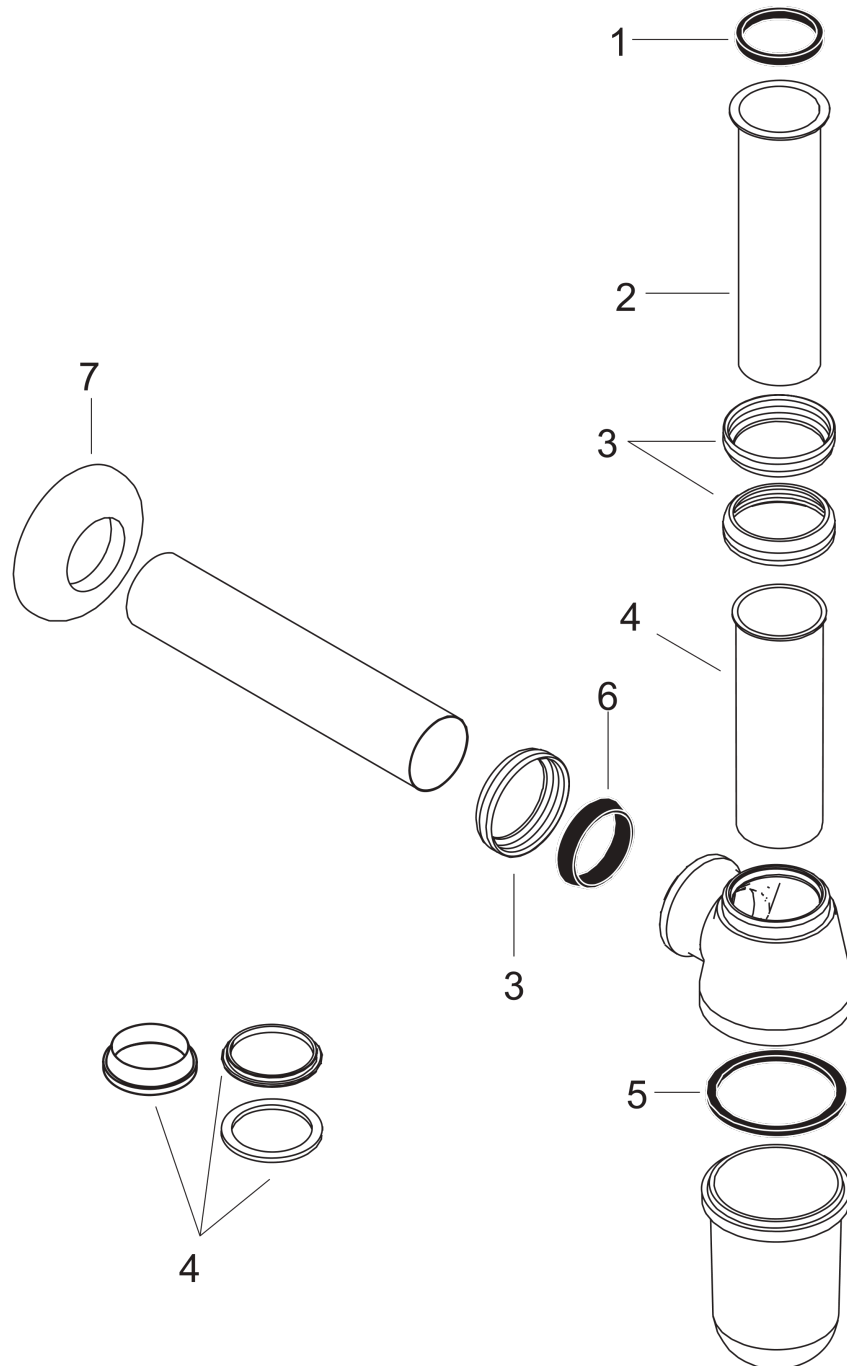
**Cup-shaped trap standard model**

Finish: **Chrome** Article Number: **52053000**



**Exploded Drawing**

Year of production: >01/77



**Cup-shaped trap standard model**

Finish: **Chrome** Article Number: **52053000**



**Spare part list**

Year of production: >01/77

Pos.	Description	Article Number	PC	PU
1	seal 1¼"	53971000	1	1
2	pipe 1¼" 300 mm	53428000	98	1
3	hand nut 1¼"	53951000	1	1
4	dip tube set 1¼" 100 mm	94203000	2	1
5	hose ring 50x54,5x3	53982000	1	1
6	wedge-shaped seal 1¼"	53985000	1	1
7	flange 1¼"x65x15	53964000	2	1