

Logis E

Single lever basin mixer 100 with pop-up waste set

Finish: **Chrome** Article Number: **71161000**



Description

product features

- consists of: single lever basin mixer, waste set
- ComfortZone: 100
- projection: 119 mm
- spout height: 94 mm
- handle variant: lever handle
- spray type: normal spray
- maximum flow rate at 3 bar: 5 l/min
- ceramic cartridge
- temperature limitation adjustable
- suitable for continuous flow water heaters
- pop-up waste set G 1¼
- material waste set: synthetic
- connection type: G ¾ connections
- connection dimension: DN15
- EU taxonomy: max. 6 l/min - Substantial Contribution (SC) possible
- PA-IX 16954/IO
- DVGW DW-6506CT0646
- ACS 22 ACC LY 299 France, valide jusqu'au 07.06.2027

Technology



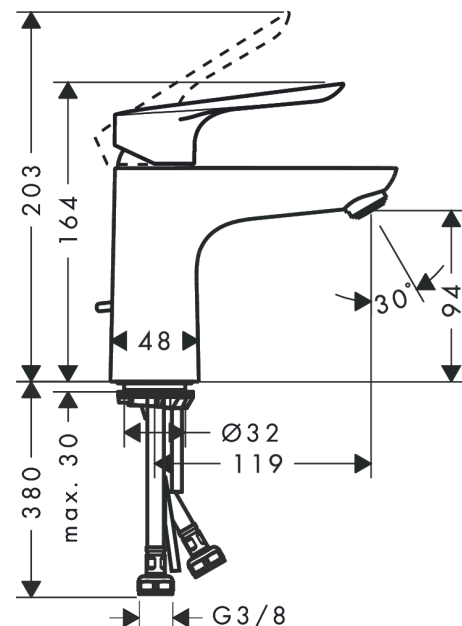
Certificates / Sustainability



Product image



Scale drawing



Logis E

Single lever basin mixer 100 with pop-up waste set

Finish: **Chrome** Article Number: **71161000**



Flowchart

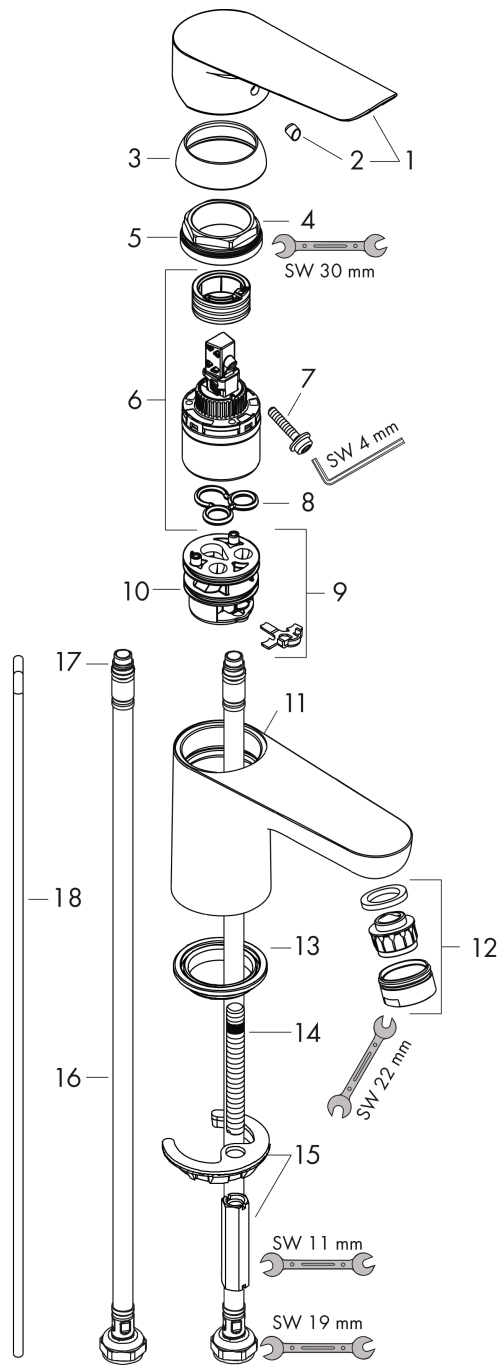


Logis E
Single lever basin mixer 100 with pop-up waste set
 Finish: **Chrome** Article Number: **71161000**



Exploded Drawing

Year of production: >04/17



Logis E

Single lever basin mixer 100 with pop-up waste set

Finish: **Chrome** Article Number: **71161000**



Spare part list

Year of production: >04/17

Pos.	Description	Article Number	PC	PU
1	handle	93024000	10	1
2	screw cover	96338000	1	1
3	flange	97406000	6	1
4	nut	97209000	5	1
5	O-Ring 32x2	98193000	1	1
6	cartridge, assy	92730000	11	1
7	locking screw for handle	95140000	2	1
8	seal	95008000	3	1
9	adapter for cartridge	98750000	4	1
10	O-Ring 30x2	98186000	1	1
11	O-ring 35x2	92604000	2	1
12	aerator M24x1 (5 l/min)	92372000	6	1
13	seal Ø 42	98722000	2	1
14	screw M8 x 68	97736000	2	1
15	fixing set	96016000	8	1
16	connection hose 450 mm M8x0,75 G3/8	97206000	8	1
17	O-ring 6,6x1,6	93019000	1	1
18	sealing set	95581000	2	1
19	pull rod	96657000	4	1
a	pop up waste	92168000	9	1