

Logis E

Single lever bath mixer for exposed installation

Finish: **Chrome** Article Number: **71403000**



Description

product features

- 2 functions
- projection: 180 mm
- centre distance: 150 ± 12 mm
- spray type mixer: normal spray
- maximum flow rate at 3 bar: 20 l/min
- flow rate for bath spout at 3 bar: 20 l/min
- flow rate of hand shower at 3 bar: 17 l/min
- ceramic cartridge
- temperature limitation adjustable
- diverter with automatic resetting
- non-return valve
- with silencer
- suitable for continuous flow water heaters
- connection dimension: DN15
- connection type: s-shaped connections
- wall-mounted
- min. operating pressure: 1 bar
- max. operating pressure: 10 bar
- PA-IX 16957/IICB
- DVGW DW-6506CT0646
- ACS 21 ACC LY 963 France, valide jusqu'au 05.05.2026
- NF077_375-M1
- Belg 22-220-27_1

Technology



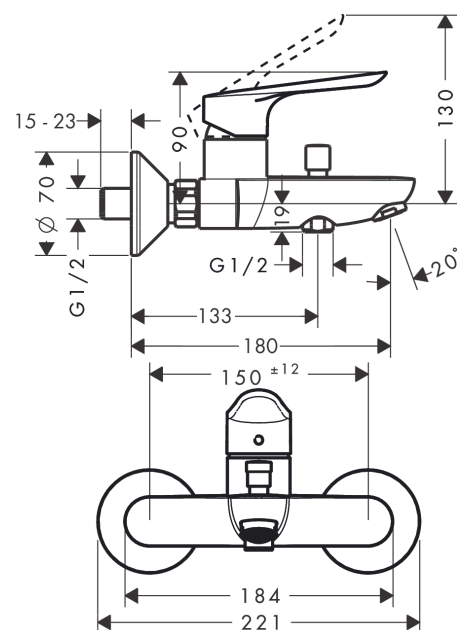
Certificates / Sustainability



Product image



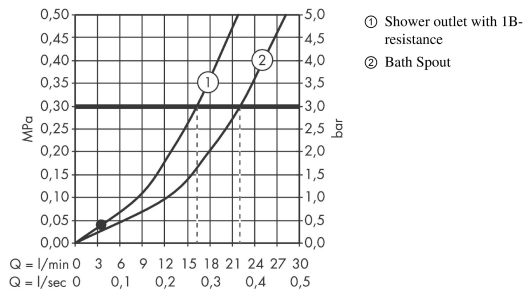
Scale drawing



Logis E
Single lever bath mixer for exposed installation
 Finish: **Chrome** Article Number: **71403000**



Flowchart

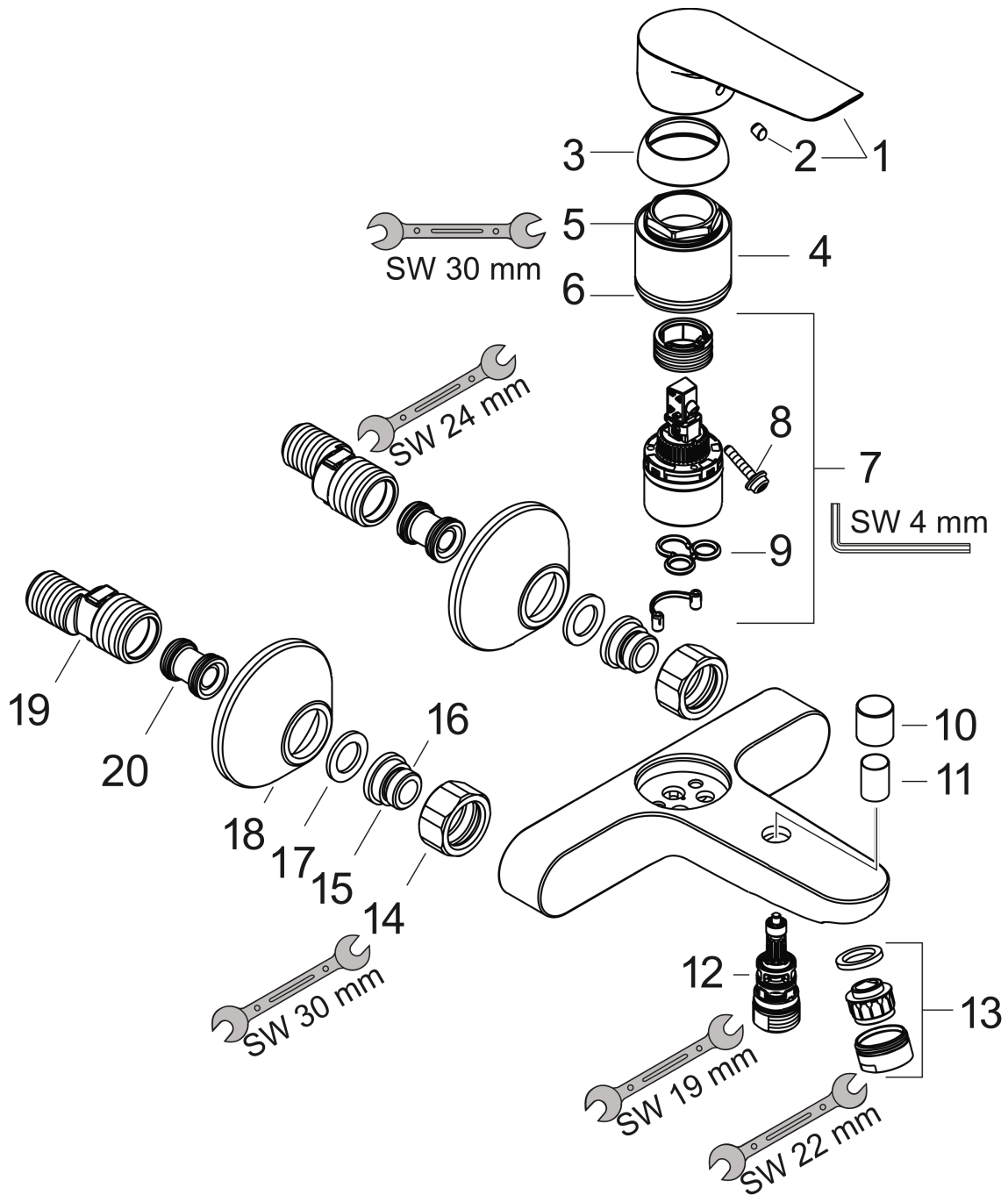


Logis E
Single lever bath mixer for exposed installation
 Finish: **Chrome** Article Number: **71403000**



Exploded Drawing

Year of production: >04/17



Logis E

Single lever bath mixer for exposed installation

Finish: **Chrome** Article Number: **71403000**



Spare part list

Year of production: >04/17

Pos.	Description	Article Number	PC	PU
1	handle	93024000	10	1
2	screw cover	96338000	1	1
3	flange	97406000	6	1
4	nut	97977000	9	1
5	O-Ring 32x2	98193000	1	1
6	O-ring 33x1,5	98164000	1	1
7	cartridge, assy	92730000	11	1
8	locking screw for handle	95140000	2	1
9	seal	95008000	3	1
10	diverter knob	97981000	6	1
11	sleeve	97979000	5	1
12	selector	97978000	11	1
13	aerator M24x1 (30 l/min)	96512000	5	1
14	set of nuts	96157000	8	1
15	connecting thread	97220000	5	1
16	O-ring 15x2	98163000	1	1
17	filter packing	96922000	3	1
18	escutcheon Ø 70 mm	94135000	4	1
19	set of S-unions (±12 mm)	94140000	10	1
20	noise reduction	96429000	2	1