

Talis E
Single lever bath mixer for exposed installation
 Finish: **Chrome** Article Number: **71740007**



Description

product features

- 2 functions
- projection: 194 mm
- centre distance: 150 ± 12 mm
- spray type mixer: normal spray
- maximum flow rate at 3 bar: 19 l/min
- flow rate for bath spout at 3 bar: 19 l/min
- ceramic cartridge
- temperature limitation adjustable
- diverter with automatic resetting
- with silencer
- suitable for continous flow water heaters
- connection dimension: DN15
- connection type: s-shaped connections
- wall-mounted

Technology



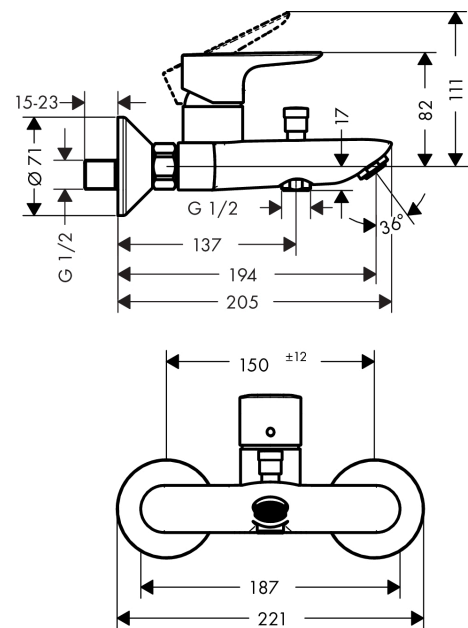
Certificates / Sustainability



Product image



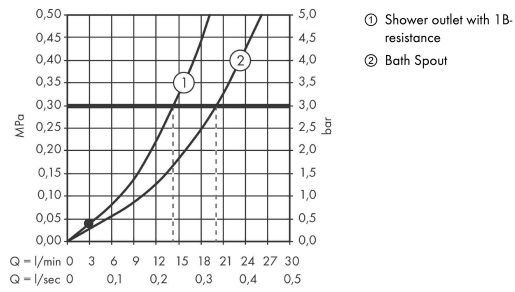
Scale drawing



Talis E
Single lever bath mixer for exposed installation
 Finish: **Chrome** Article Number: **71740007**



Flowchart

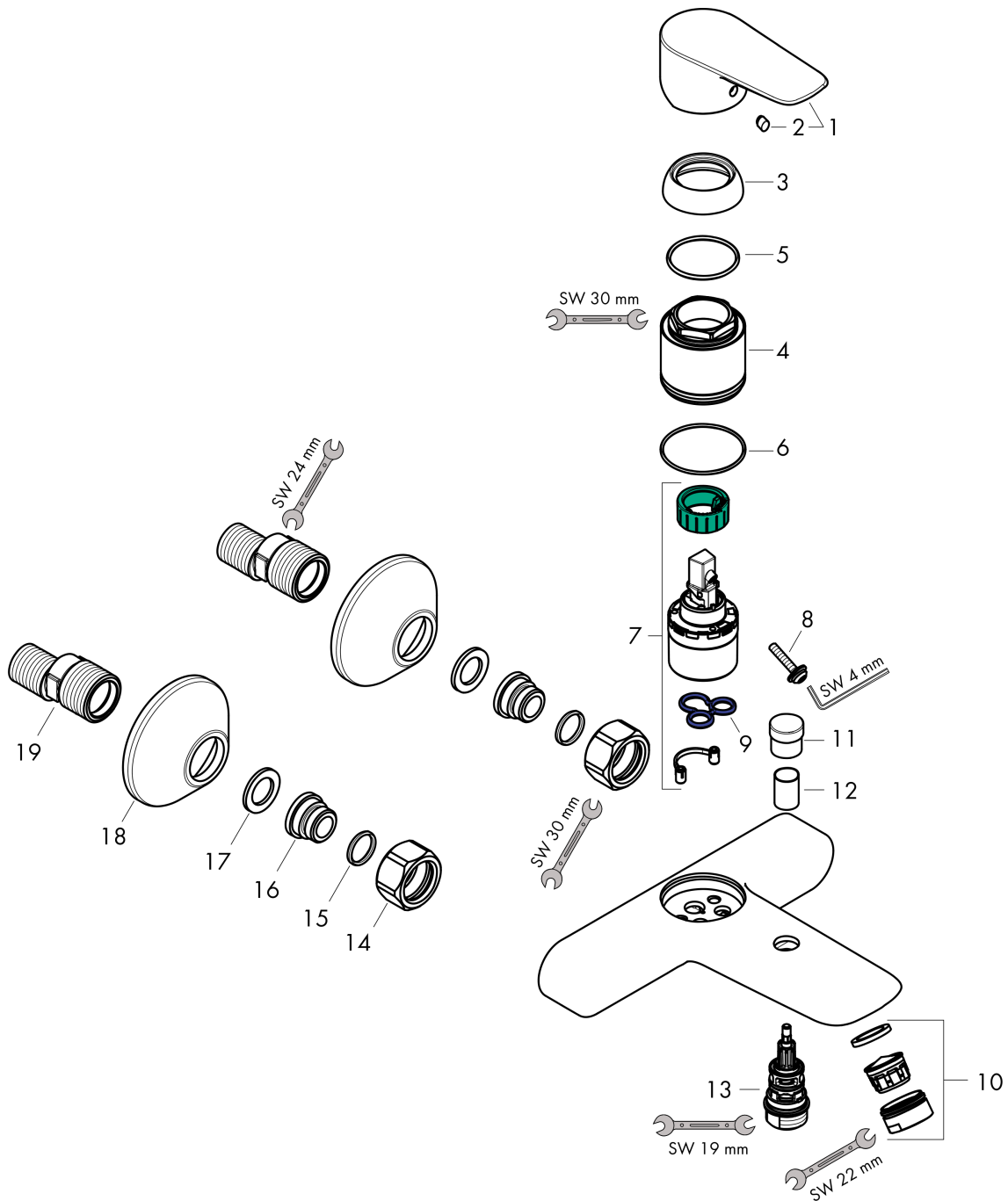


Talis E
Single lever bath mixer for exposed installation
 Finish: **Chrome** Article Number: **71740007**



Exploded Drawing

Year of production: >06/15



Talis E
Single lever bath mixer for exposed installation
 Finish: **Chrome** Article Number: **71740007**



Spare part list

Year of production: >06/15

Pos.	Description	Article Number	PC	PU
1	handle	92666000	8	1
2	screw cover	96338000	1	1
3	flange	97406000	6	1
4	nut	97977000	9	1
5	O-Ring 32x2	98193000	1	1
6	O-ring 33x1,5	98164000	1	1
7	cartridge, assy	92730000	11	1
8	locking screw for handle	95140000	2	1
9	seal	95008000	3	1
10	aerator M24x1 (30 l/min)	96512000	5	1
11	diverter knob	97981000	6	1
12	sleeve	97979000	5	1
13	selector	97978000	11	1
14	set of nuts	96157000	8	1
15	O-ring 15x2	98163000	1	1
16	connecting thread	97220000	5	1
17	filter packing	96922000	3	1
18	escutcheon Ø 70 mm	94135000	4	1
19	set of S-unions (±12 mm)	94140000	10	1