

Rebris S
Single lever bath mixer for exposed installation
 Finish: **Chrome** Article Number: **72440007**



Description

product features

- 2 functions
- projection: 173 mm
- centre distance: 150 ± 12 mm
- spray type mixer: normal spray
- maximum flow rate at 3 bar: 20,4 l/min
- flow rate for bath spout at 3 bar: 20,4 l/min
- flow rate of hand shower at 3 bar: 7,4 l/min
- ceramic cartridge
- temperature limitation adjustable
- diverter with automatic resetting
- protected against backflow, according to DIN EN 1717
- with silencer
- suitable for continuous flow water heaters
- connection dimension: DN15
- connection type: s-shaped connections
- wall-mounted
- min. operating pressure: 1 bar
- max. operating pressure: 10 bar

Technology



Design awards



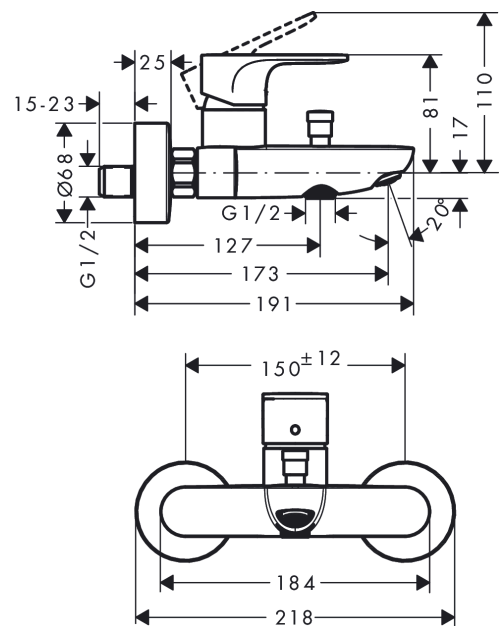
reddot winner 2022



Product image



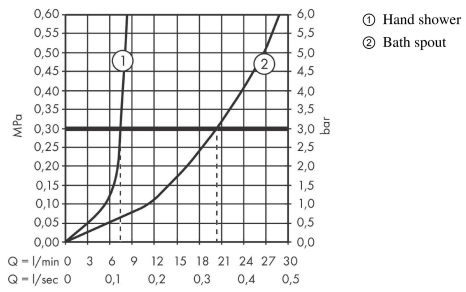
Scale drawing



Rebris S
Single lever bath mixer for exposed installation
 Finish: **Chrome** Article Number: **72440007**



Flowchart

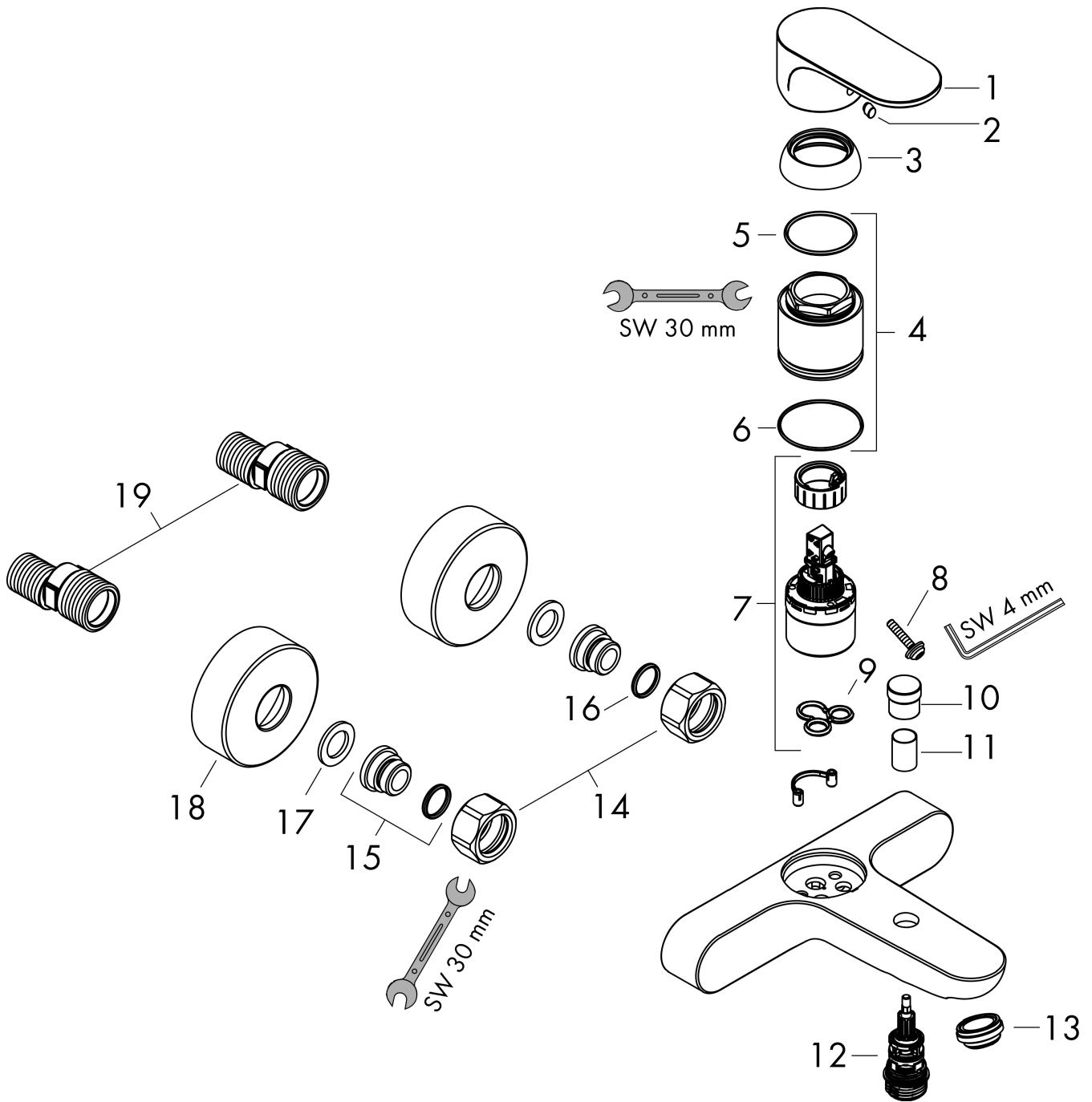


Rebris S
Single lever bath mixer for exposed installation
 Finish: **Chrome** Article Number: **72440007**



Exploded Drawing

Year of production: >06/22



Rebris S
Single lever bath mixer for exposed installation
 Finish: **Chrome** Article Number: **72440007**



Spare part list

Year of production: >06/22

| Pos. | Description | Article Number | PC | PU |
|------|--------------------------|----------------|----|----|
| 1 | handle | 94654000 | 10 | 1 |
| 2 | screw cover | 96338000 | 1 | 1 |
| 3 | flange | 97406000 | 6 | 1 |
| 4 | nut | 97977000 | 9 | 1 |
| 5 | O-Ring 32x2 | 98193000 | 1 | 1 |
| 6 | O-ring 33x1,5 | 98164000 | 1 | 1 |
| 7 | cartridge, assy | 92730000 | 11 | 1 |
| 8 | locking screw for handle | 95140000 | 2 | 1 |
| 9 | seal | 95008000 | 3 | 1 |
| 10 | diverter knob | 97981000 | 6 | 1 |
| 11 | sleeve | 97979000 | 5 | 1 |
| 12 | non return valve | 97980000 | 5 | 1 |
| 13 | aerator M24x1 (30 l/min) | 94656000 | 2 | 1 |
| 14 | set of nuts | 96157000 | 8 | 1 |
| 15 | connecting thread | 97220000 | 5 | 1 |
| 16 | O-ring 15x2 | 98163000 | 1 | 1 |
| 17 | filter packing | 96922000 | 3 | 1 |
| 18 | escutcheon Ø 68 mm | 96467000 | 6 | 1 |
| 19 | set of S-unions | 94140007 | 10 | 1 |